

Crestbond shear connectors for load transfer in concrete filled tube columns

Conectores Crestbond para transferência de carga em pilares mistos preenchidos com concreto



O. P. AGUIAR^a
opaguiar@gmail.com

R. B. CALDAS^a
caldas@dees.ufmg.br

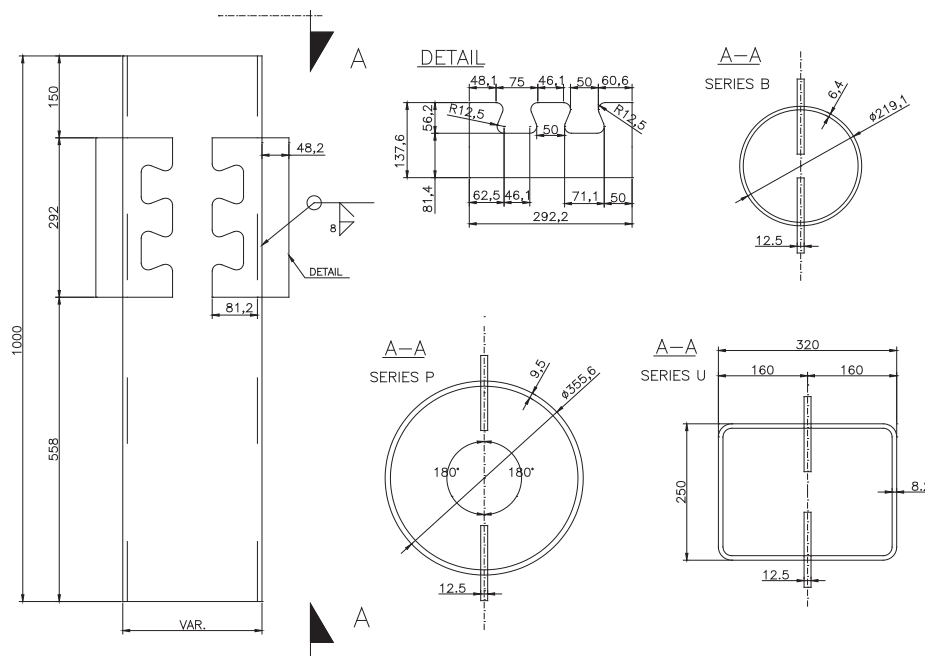
F. C. RODRIGUES^a
francisco@dees.ufmg.br

R. H. FAKURY^a
fakury@dees.ufmg.br

G. S. VERÍSSIMO^b
gustavo@ufv.br


Errata

In the previously published article "Crestbond shear connectors for load transfer in concrete filled tube columns" (<http://dx.doi.org/10.1590/s1983-41952018000500004>), page 961, please replace Figure 2.



^a Departamento de Engenharia de Estruturas, Universidade Federal de Minas Gerais, Belo Horizonte, MG, Brasil;
^b Departamento de Engenharia Civil, Universidade Federal de Viçosa, Viçosa, MG, Brasil.

Received 19 Nov 2018 • Accepted 19 Nov 2018 • Available online 23 Nov 2018

 This is an open-access article distributed under the terms of the Creative Commons Attribution License